

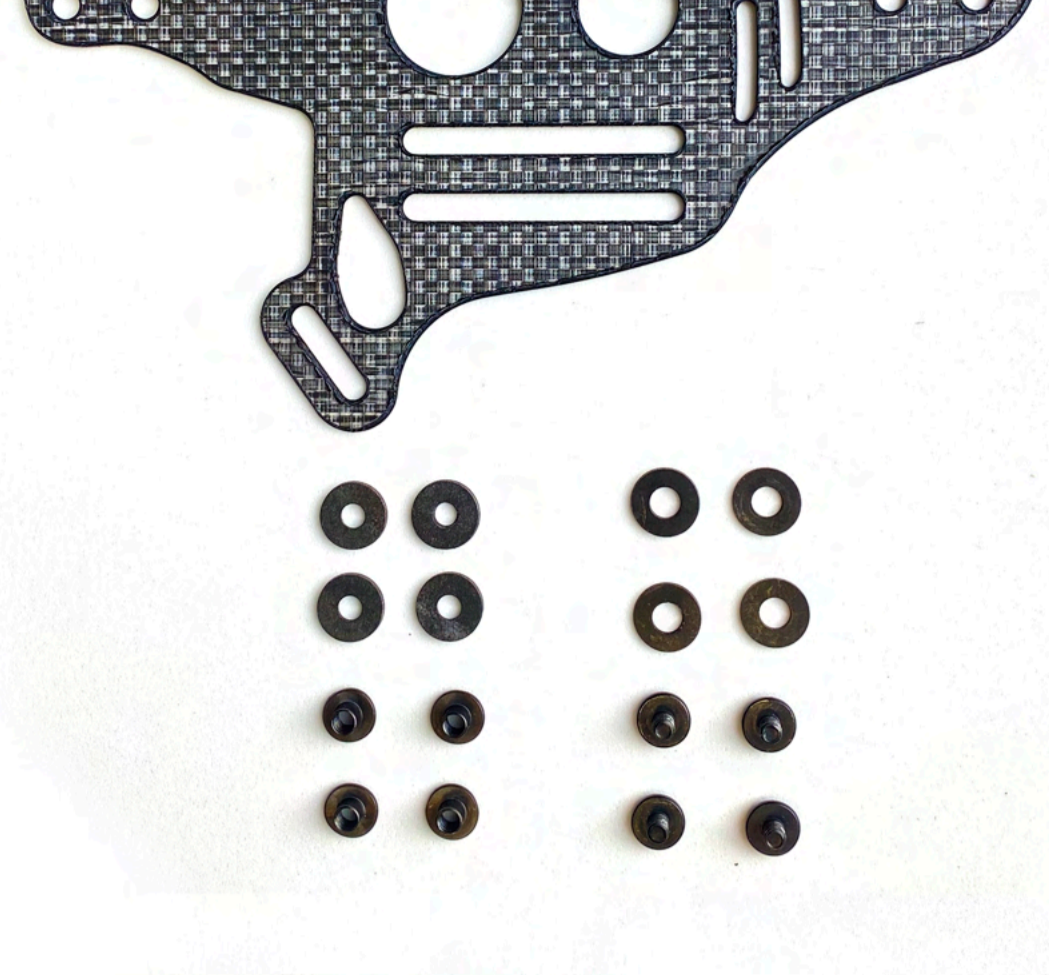
Quick fit guide:

The light-bearing Enigma is designed around the PHLster Floodlight but will fit many other brands. Measure the front mounting holes on the front of your holster and compare them to the diagram on the left.

Be sure your holster has a Modwing L or LightWing. Holsters with different wings might not work properly or break prematurely when used with the Enigma.

LIGHT-BEARING ENIGMA

ASSEMBLY INSTRUCTIONS



1. Your light-bearing Enigma came with an additional hardware kit containing 4 screws, 4 posts, 4 metal washers, and 4 rubber spacers.

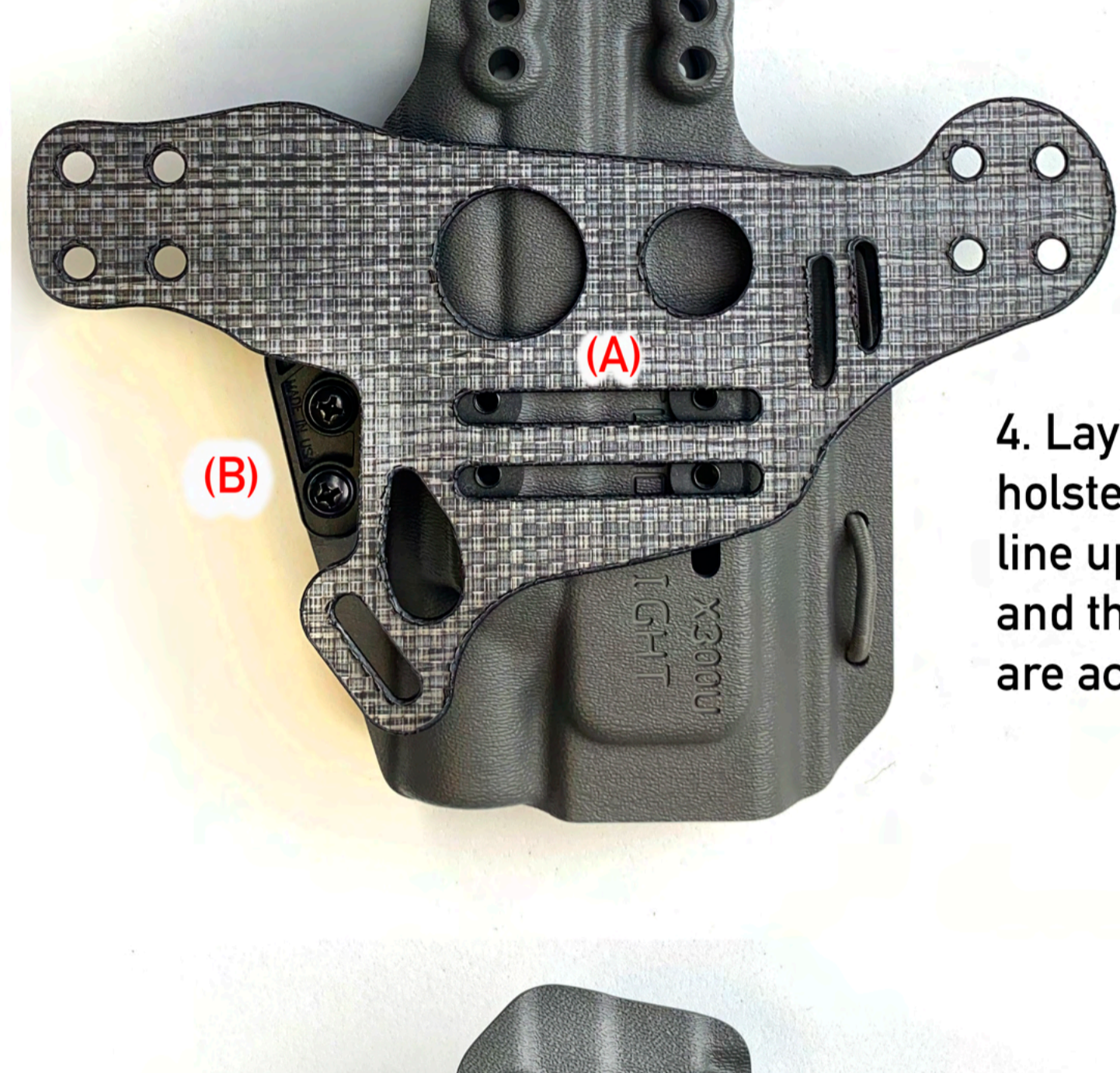


2. Remove the original loops or clips from your holster. Leave the wing attached.



3. Install the posts inside the holster.

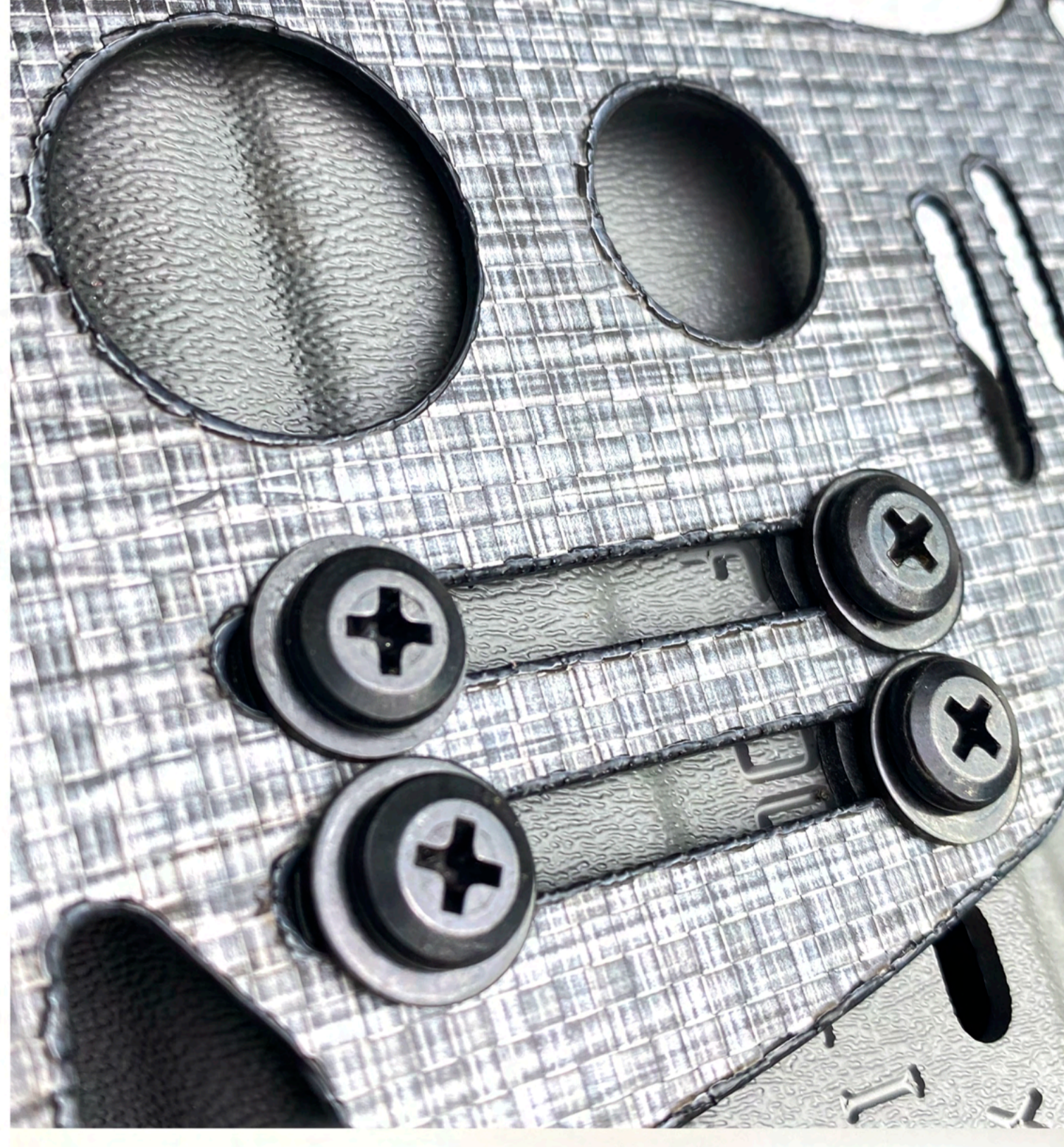
Place the rubber spacers on the outside of the holster.



4. Lay the faceplate over the holster so the slots (A) line up with the posts and the retention screws (B) are accessible.



5. Install the screws with the metal washers between the screws and the faceplate.



6. Correct installation will look like this.



7. All of the holster wing should engage the faceplate.

WARNING

FIG 1

FIG 2

DO NOT INSTALL THE FACEPLATE LOWER THAN THE WING (FIG 1) OR BACKWARDS (FIG 2).

8. Complete belt and leg-leash installation per the conventional Enigma instruction video. <https://www.phlsterholsters.com/enigma-resources/>

Do not modify, cut, or drill your Enigma or your holster for any reason. If you have questions about fitment, installation, compatibility, or adjustment, please contact us at info@phlsterholsters.com. Join the PHLster Concealment Workshop Facebook group to connect with a dedicated community of end users and round-the-clock product support.